

66450

XENARC ORIGINAL | Xenon headlight lamps



Areas of application

- Headlight

Product benefits

- OEM Quality
- Wide product range
- Reliable quality
- 4 year guarantee

Product features

- Original spare parts



Product datasheet

Technical data

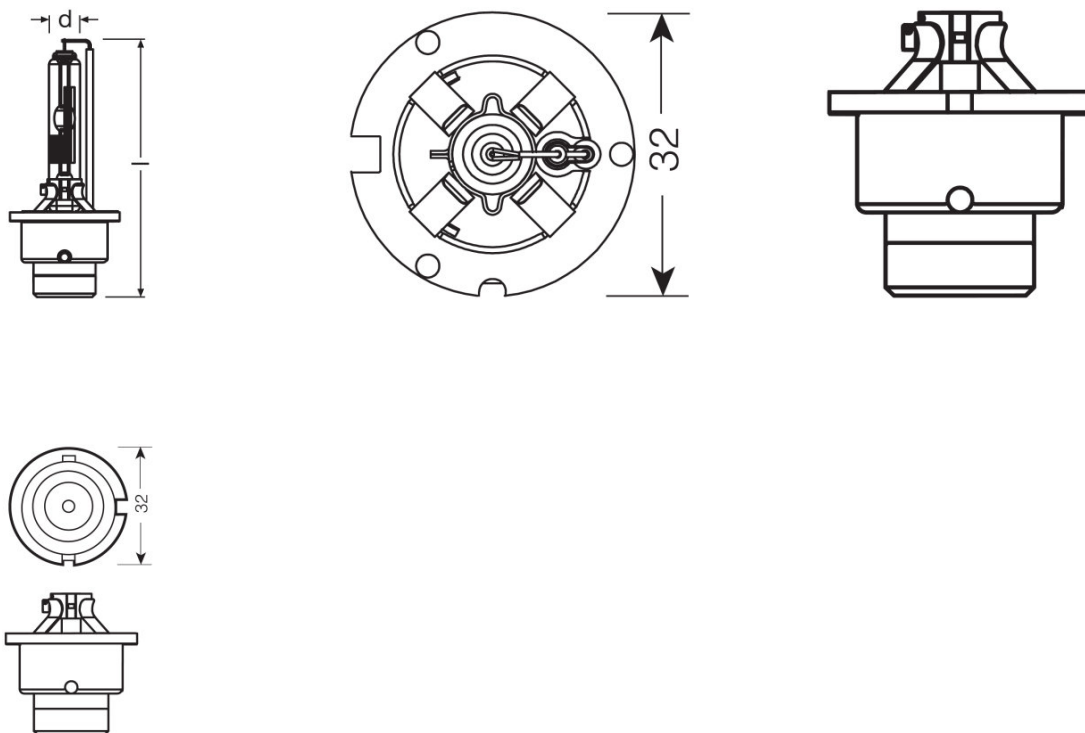
Electrical data

Power input	35 W
Nominal voltage	42.0 V
Nominal wattage	35.00 W
Power input tolerance	±3 %
Test voltage	13.5 V

Photometrical data

Luminous flux	2800 lm
Luminous flux tolerance	±16 %

Dimensions & weight



Length	79.7 mm
Diameter	9 mm
Product weight	19.50 g

Lifespan

Lifespan B3	2000 h
-------------	--------

Product datasheet

Lifespan Tc	3000 h
-------------	--------

Additional product data

Base (standard designation)	P32d-6
-----------------------------	--------

Certificates & standards

ECE category	D4R ¹⁾
--------------	-------------------

¹⁾ To be operated only with approved electronic control gear

Country specific categorizations

Order reference	66450 35W P32D-
-----------------	-----------------

Country specific information

Product code	METEL code	SEG-No.	STK-Number	UK Org
4008321349576	OSRA66450	-	-	-

Product datasheet

Safety advice

XENARC lamp change is recommended to be carried out by a professional.

Logistical Data

Product code	Product description	Packaging unit (Pieces/Unit)	Dimensions (length x width x height)	Volume	Gross weight
4008321349576	66450	Folding carton box 1	87 mm x 33 mm x 33 mm	0.09 dm ³	28.50 g
4052899262409	66450	Shipping carton box 4	118 mm x 98 mm x 97 mm	1.12 dm ³	190.00 g
4052899262416	66450	Shipping carton box 300	- x - x -		
4052899350502	66450	Shipping carton box 48	- x - x -		

The mentioned product code describes the smallest quantity unit which can be ordered. One shipping unit can contain one or more single products. When placing an order, for the quantity please enter single or multiples of a shipping unit.

References / Links

Guarantee terms are available at

▶ www.osram.com/am-guarantee

Disclaimer

Subject to change without notice. Errors and omission excepted. Always make sure to use the most recent release.
